

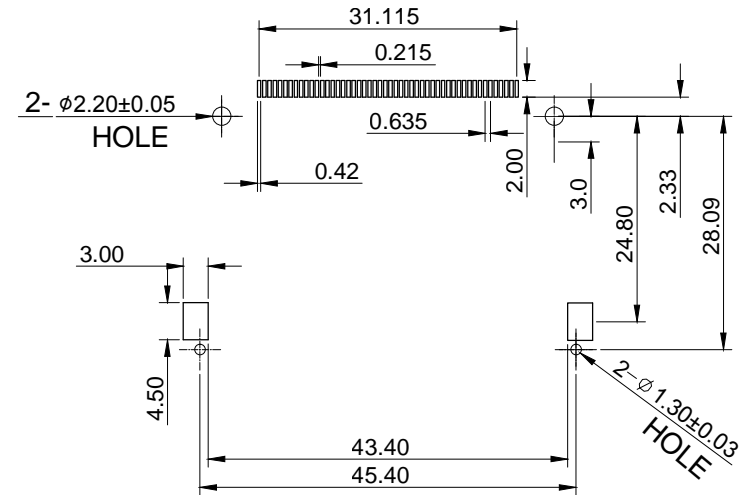
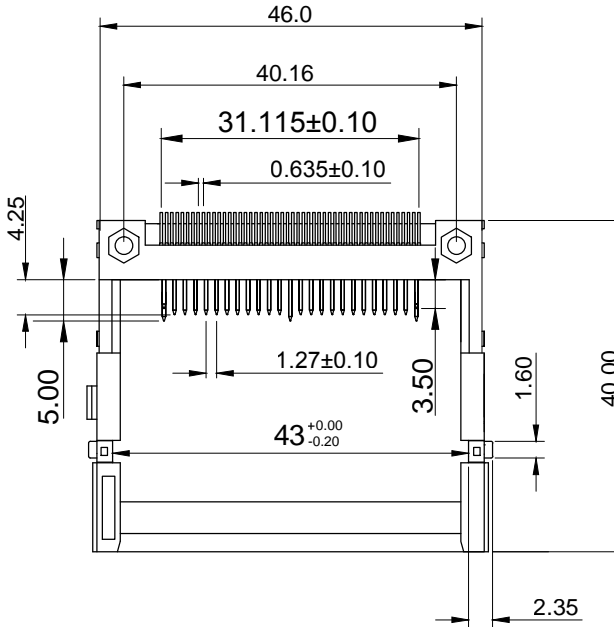
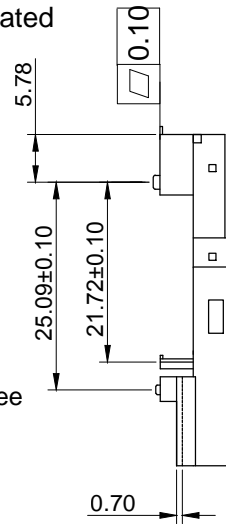
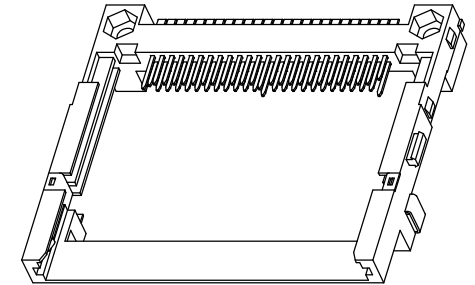
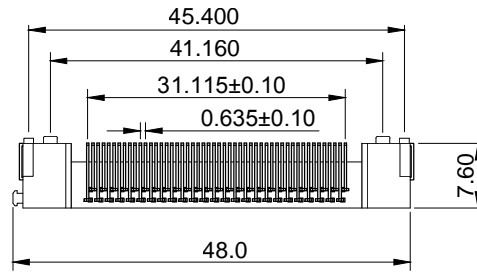
☆☆☆ CF Card ☆☆☆

P/N: CF15-N4**L0
 Material: LCP, Natural
 Contact: Copper Alloy
 Ped: Brass

Plating
 Contact: Underplated: 50u" Min. Ni
 Contact Area: Select Gold Over Ni Plated
 Solder Tail: 100u" Min. Sn over Ni Plated
 Ped: 100u" Min. Sn over 50u" Min. Ni Plated

PART NO.
 C F 1 5 - N 4 - XX L 0

Gold Plating ——— Plating
 00: G/F L: Lead Free
 05: 05u" Gold
 10: 10u" Gold
 15: 15u" Gold



RECOMMENDED P.C.BOARD HOLE DIMM.

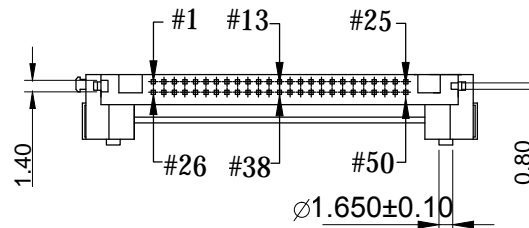


TABLE		
Pin Type	Interface Dim.	Pin No.
Detect	3.5mm (0.138in)	25,26
General	4.25mm (0.167in)	The Others
Power	5.0mm (0.197in)	01,13,38,50

TITLE
 CF Header Type II Normal Standoff 4.0mm Post 40.16mm

.x ±0.30 x° ±2°
 .xx ±0.20 DIMENSION
 .xxx ±0.10 TOLERANCE

P/N	CF15-N4**L0	CHECKED	David	UNIT	mm	DATE	2010/10/20
DRAWN	Michael	APPROVED	Lily	SCALE	1:1	REV	A



RoHS Compliant

@ <http://www.cnj.tw/>

☆☆☆ CF Header ☆☆☆

P/N: CF01-N4-**L0
 Housing: High Temp Thermoplastic
 Contact: Copper Alloy
 Ped: Brass

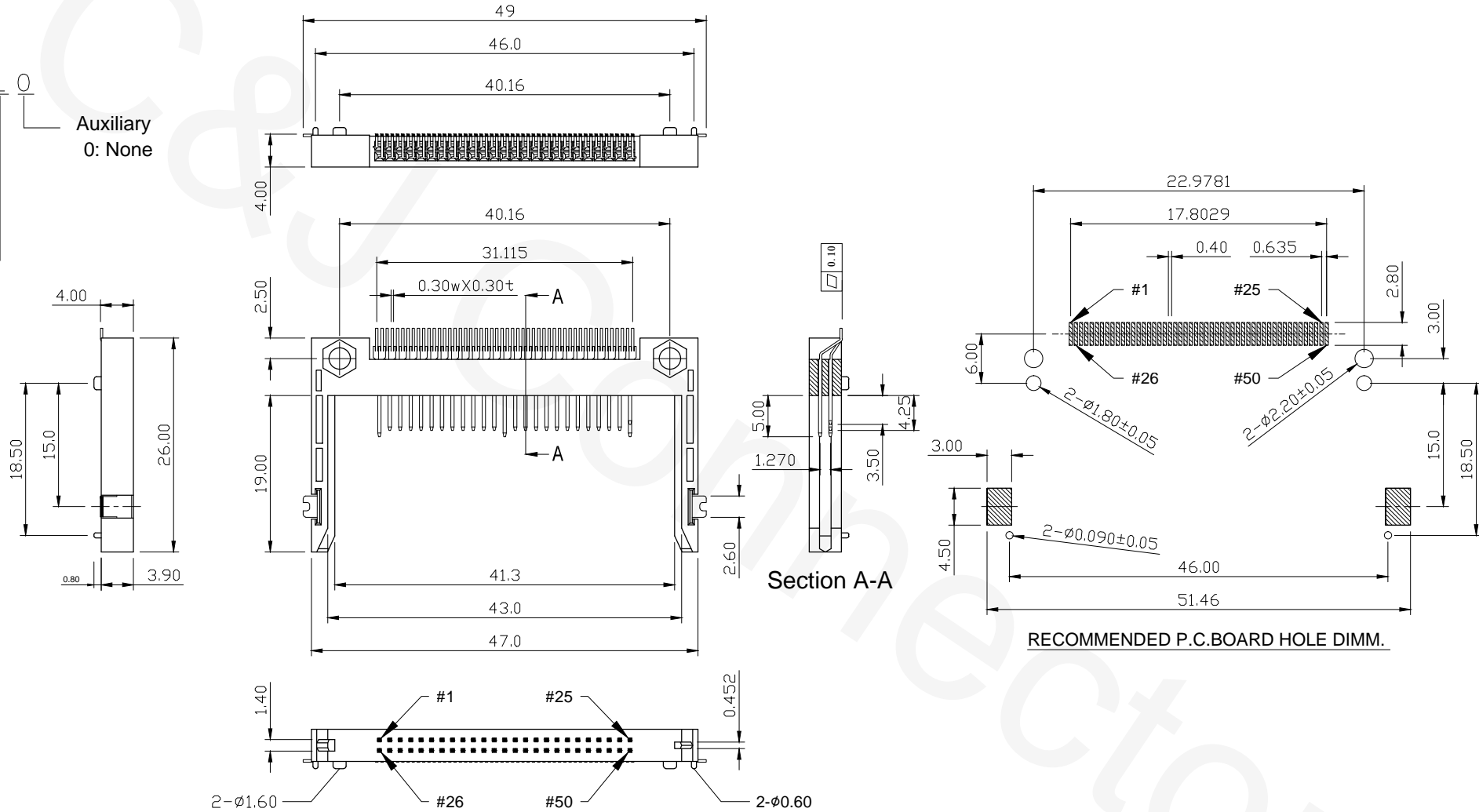
Plating:
 Contact: Underplated: 50u" Min. Ni
 Contact Area: Selected Gold over Ni Plated
 Solder Tail: 100u" Min. Sn over Ni Plated
 Ped: 100u" Min. Sn over 50u" Min Ni Plated

TABLE		
Pin Type	Interface Dim.	Pin No.
Detect	3.5mm (0.138in)	25,26
General	4.25mm (0.167in)	The Others
Power	5.0mm (0.197in)	01,13,38,50

PART NO.

CF01-N4-XX L 0

Gold Plating ——— Auxiliary
 00: G/F 0: None
 05: 05u" Gold
 10: 10u" Gold
 15: 15u" Gold
 Plating ———
 L: Lead Free



RECOMMENDED P.C.BOARD HOLE DIMM.



TITLE
 CF Card Header Slim Type, Normal L=26mm, Post:40.16mm

.x ±0.30 x° ±2°
 .xx ±0.20 DIMENSION
 .xxx ±0.10 TOLERANCE

RoHS Compliant

@ <http://www.cnj.tw/>

P/N	CF01-N4-**L0	CHECKED	David	UNIT	mm	DATE	2013/10/20
DRAWN	Michael	APPROVED	Lily	SCALE	1:1	REV	A